

Arduino	Digital LED Display Module
GND	GND
5V	VCC
D2	DIO
D3	CLK



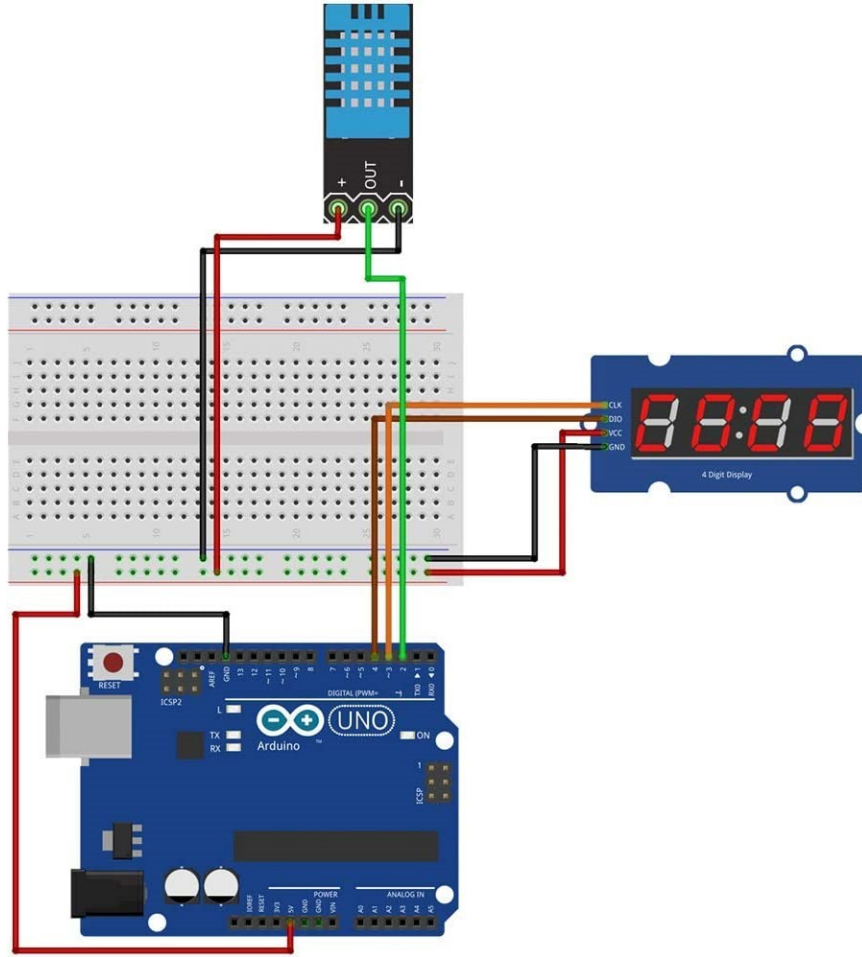
24mm

42mm

4-Digit Display



4-Digit Display





	Minimum	Typical	Maximum	Unit
voltage	3.3	5	5.5	VDC
current	—	30	80	mA
size	42*24*12			mm
weight	8			g

