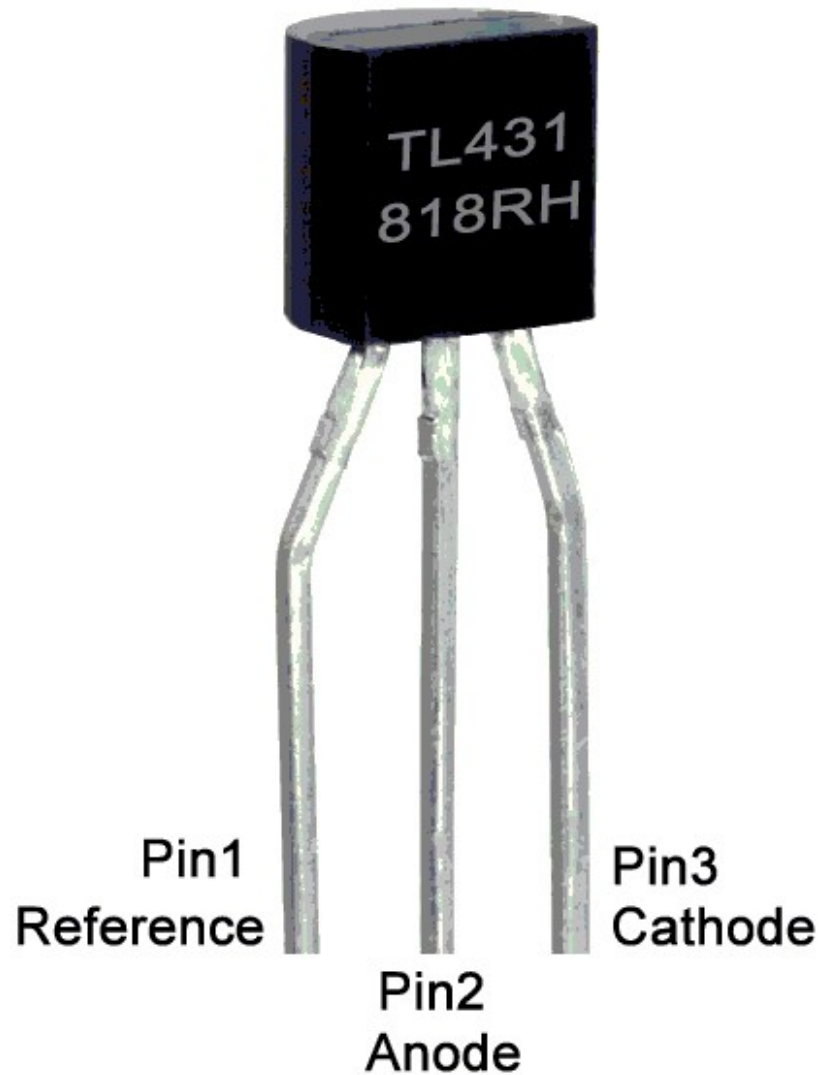
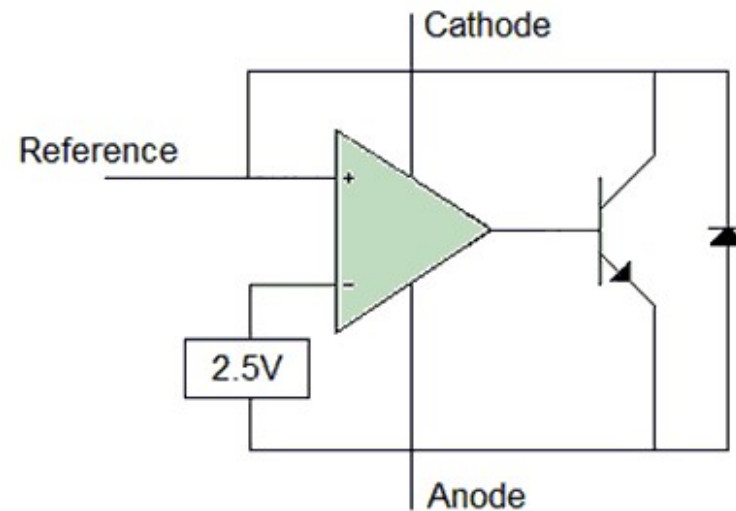


TL431 IC Pinout

TO-92 Package IC



Internal Functional Block Diagram



Symbol in Circuits

