

# **EIBA Handbook Series**

**Release 3.0**

## **Volume 1: Primer**

### **Appendices**

#### *Appendix 2: Product Symbols*

19.03.1999

---

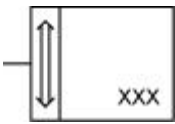
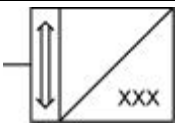
# Table of Contents

<b>1. General Description .....</b>	<b>3</b>
<b>2. Basic and System Components .....</b>	<b>4</b>
2.1 Twisted Pair .....	4
2.2 Powerline .....	4
<b>3. Actuators .....</b>	<b>5</b>
3.1 Binary Outputs .....	5
3.2 Analog Outputs .....	5
3.3 Other Symbols .....	6
<b>4. Sensors .....</b>	<b>7</b>
4.1 Push Buttons .....	7
4.2 Binary Inputs.....	7
4.3 Analog Inputs.....	8
4.4 Physical Sensors.....	8
4.5 Infrared .....	8
<b>5. Other symbols .....</b>	<b>10</b>
<b>6. Combined Symbols .....</b>	<b>11</b>
<b>7. Modules .....</b>	<b>12</b>
7.1 Simple Modules .....	12
7.2 Combined Modules .....	12

# 1. General Description

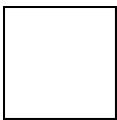

The symbols consist of a square of side length “a” in which the functional symbols are inserted. The electronic part for connection to the bus is described by a double arrow in a rectangle of dimensions a x a/4 which is added to the square on one side or on two sides, depending on the function of the device.

For bus devices that are not covered in this list the following symbol shall be used:

Actuator	
Sensor	

xxx = alphanumeric “word” which shall be explained in a footnote

The following tables list today’s accepted EIB Product Symbols. If a manufacturer feels the functionality of his product can not be covered by one of these, he may propose to the EIBA Certification Department a new symbol for EIBA acceptance.

Default symbol	
Bus Access Unit	

## 2. Basic and System Components

### 2.1 Twisted Pair

Symbol name	Symbol
Power supply	
Power supply + Choke	
Serial	
PLC	
ISDN	

Symbol name	Symbol
Choke	
Line coupler	
Modem	
Gateway	
Fieldbus	

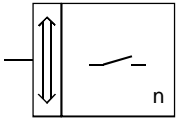
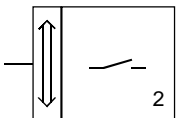
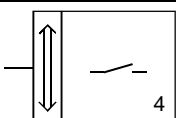
### 2.2 Powerline

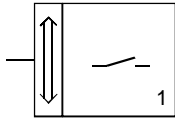
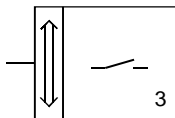
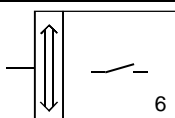
Symbol name	Symbol
Filter	
Repeater	

Symbol name	Symbol
Phase Coupler	
Media Coupler	

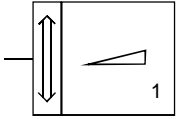
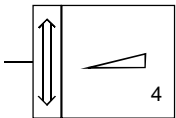
### 3. Actuators

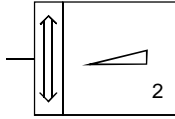
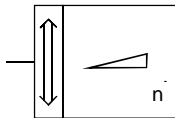
#### 3.1 Binary Outputs

Symbol name	Symbol
Binary output, general	
Binary output, 2-fold	
Binary output, 4-fold	

Symbol name	Symbol
Binary output, single	
Binary output, 3-fold	
Binary output, 6-fold	

#### 3.2 Analog Outputs

Symbol name	Symbol
Analog output, single	
Analog output, 4-fold	

Symbol name	Symbol
Analog output, 2-fold	
Analog output, general	

### 3.3 Other Symbols

Symbol name	Symbol
Dimmer	
Shutter actuator, 2-fold	
Electrical Heater	
Binary display	

Symbol name	Symbol
Shutter actuator, single	
Valve	
Display	
Controller	

## 4. Sensors

### 4.1 Push Buttons

Symbol name	Symbol
Push button, general	
Push button, 2-fold	

Symbol name	Symbol
Push button, single	
Push button, 4-fold	

### 4.2 Binary Inputs

Symbol name	Symbol
Binary input, general	
Binary input, 2-fold	
Binary input, 4-fold	
Binary/Analog input, mix	

Symbol name	Symbol
Binary input, single	
Binary input, 3-fold	
Binary input, 6-fold	

### 4.3 Analog Inputs

Symbol name	Symbol
Analog input, general	
Analog input, 2-fold	

Symbol name	Symbol
Analog input, single	
Analog input, 4-fold	

### 4.4 Physical Sensors

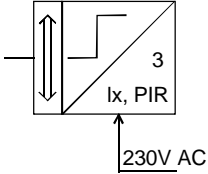
Symbol name	Symbol
Temperature sensor	
Wind speed sensor	
Movement sensor	

Symbol name	Symbol
Thermostat	
Brightness sensor	
Current/voltage sensor	

### 4.5 Infrared

Symbol name	Symbol
IR Receiver	
IR Decoder	
IR-Rec/Dec with 4-fold PB	
Sensor (Brightn., PIR), single	

Symbol name	Symbol
IR Transmitter	
IR Receiver/Decoder	
PIR, single	
Sensor (Brightn., PIR), 2-fold	

Symbol name	Symbol
Sensor (Brightn., PIR), 3-fold	

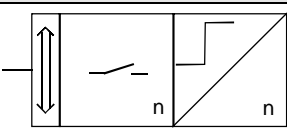
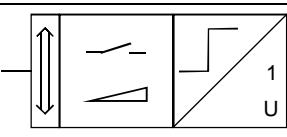
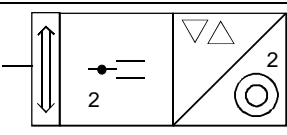
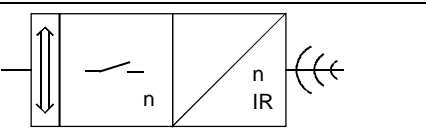
Symbol name	Symbol

## 5. Other symbols

Symbol name	Symbol
Clock switch	
Timer	
Shutter switch	
Lock system	

Symbol name	Symbol
Time switch, 2-fold	
DCF 77 Converter	
Circuit Breaker Alarm	

## 6. Combined Symbols

Symbol name	Symbol
Binary/binary	
Dimmer binary input	
Blinds actuator/2-fold push button	
Binary output/IR-Rec.-Dec.	

## 7. Modules

### 7.1 Simple Modules

Symbol name	Symbol
Binary input module single	

Symbol name	Symbol
Binary output module single	

### 7.2 Combined Modules

Symbol name	Symbol
Switch. Act. Mod. + PB single	
Dimming Act. Mod. + PB single	
Shutter Act. Mod. + PB single	